

Tube terminals 0.75 - 10 mm²

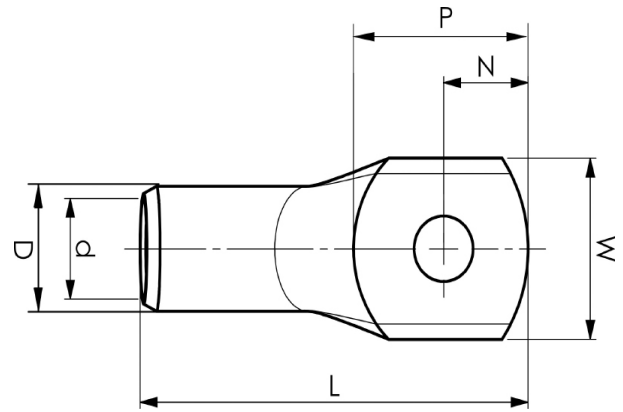
KR1,5-4

- ✓ Material: Cu 99.95%, tin plated Cu/Sn.
- ✓ For multi-stranded (class 5) and stranded (class 2) Cu conductors.
- ✓ UL approved.
- ✓ Without inspection hole.

Examples of palm marking KR: 10-10

10 = mm² 10 = Palm hole for M10

Tube terminal for multi-stranded (class 5) and stranded (class 2) Cu-conductors (acc. to IEC 60228), 1.5 mm², with an M4 hole in the palm. Used with certified tool DKB0325, DKB0760.



Item number: **7301-010300**

EAN: **7393487005754**

W (mm): **6.5**

N (mm): **4.2**

N1 (mm): **3.8**

P (mm): **8**

d (mm): **1.8**

D (mm): **3,3**

L (mm): **17**

t (mm) - palm thickness: **0.9**

s (mm) - strip length: **7.5**

Screw: **M4**

AWG/MCM Cu: **16 AWG**

mm² Cu: **1,5**