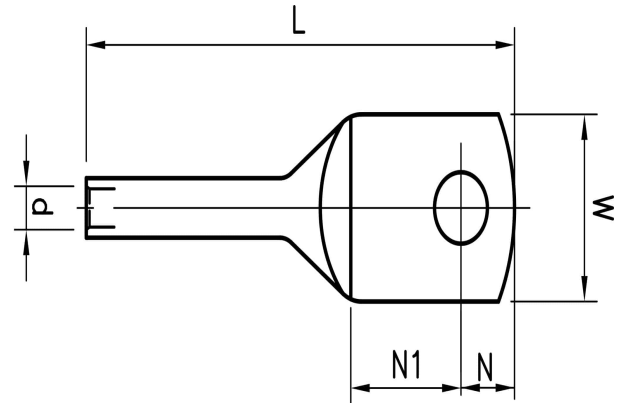


KRX tube terminals for Excel and Fxcel cable 10 - 16 mm<sup>2</sup>

# KRX10-12

- ✓ Material: Cu 99.95%, tin plated Cu/Sn.
- ✓ Mounted pull-strain relieved.

Uninsulated tube terminal for Cu conductors 10 mm<sup>2</sup> solid (Excel) with an M12 hole in the palm.  
Used with Elpress certified systems V600, V1300, V250.



Item number: **7301-111700**  
EAN: **7393487017870**

W (mm): **22**  
N (mm): **12.5**  
N1 (mm): **19.5**  
P (mm): **32**  
d (mm): **4.5**  
D (mm): **7**  
L (mm): **74**  
t (mm) - palm thickness: **3.5**  
s (mm) - strip length: **30**

Screw: **M12**

AWG/MCM Cu: **8 AWG**  
mm<sup>2</sup> Cu: **10**