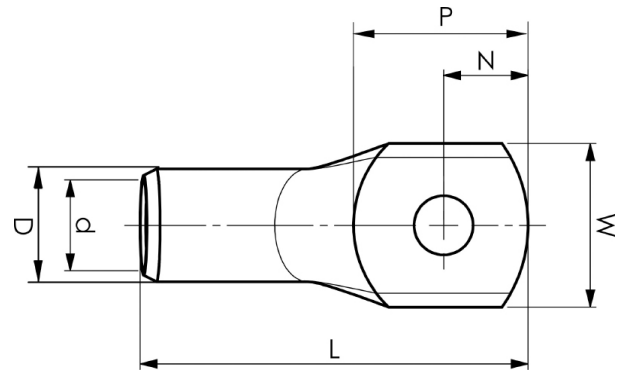


KRT tube terminals 10 - 500 mm<sup>2</sup>

# KRT70-12

- ✓ Material: Cu 99.95%, tin plated Cu/Sn.
- ✓ Inspection hole.
- ✓ For stranded (class 2) Cu conductors.



## Example of marking KRT: 16 (neck) Elpress logotype 70 10 (palm)

16 = Die No. 70 = mm<sup>2</sup> 10 = palm hole for M10

Tube terminal type KRT for stranded (class 2) Cu conductors, 70 mm<sup>2</sup>, with an M12 hole in the palm.

Used with Elpress certified systems V600, V1300 or V250.



Item number: **7301-277500**

EAN: **7393487007604**

W (mm): **23**

N (mm): **12**

N1 (mm): **13**

P (mm): **25**

d (mm): **12**

D (mm): **16**

L (mm): **58**

t (mm) - palm thickness: **3.9**

s (mm) - strip length: **23**

Screw: **M12**

Inspection hole: **Yes**

AWG/MCM Cu: **2/0 AWG**

mm<sup>2</sup> Cu: **70**