

KRT tube terminals 10 - 500 mm<sup>2</sup>

# KRT120-10

- ✓ Material: Cu 99.95%, tin plated Cu/Sn.
- ✓ Inspection hole.
- ✓ For stranded (class 2) Cu conductors.

## Example of marking KRT: 16 (neck) Elpress logotype 70 10 (palm)

16 = Die No. 70 = mm<sup>2</sup> 10 = palm hole for M10  
Tube terminal type KRT for stranded (class 2) Cu  
conductors, 120 mm<sup>2</sup>, with an M10 hole in the palm.  
Used with Elpress certified systems V600, V1300 or  
V250.



Item number: **7301-278100**

EAN: **7393487007666**

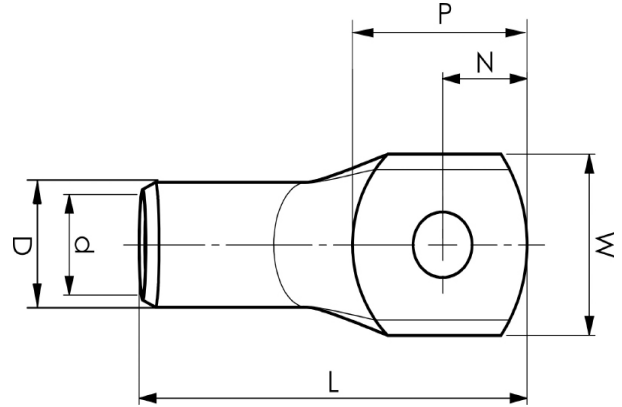
W (mm): **28**  
N (mm): **11**  
N1 (mm): **14**  
P (mm): **25**  
d (mm): **15**  
D (mm): **19**  
L (mm): **64**  
t (mm) - palm thickness: **3.9**  
s (mm) - strip length: **26**

Screw: **M10**

Inspection hole: **Yes**

AWG/MCM Cu: **4/0 AWG**

mm<sup>2</sup> Cu: **120**



**ELPRESS**