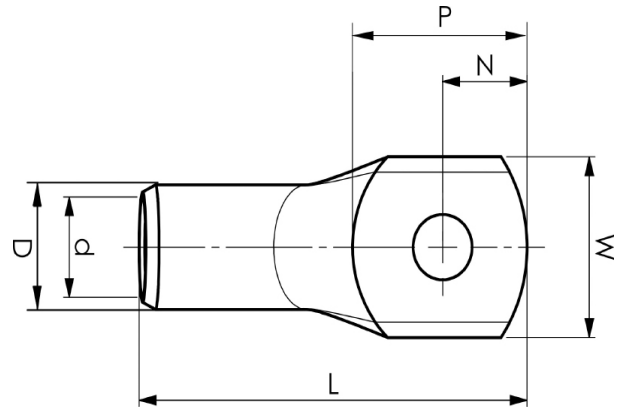
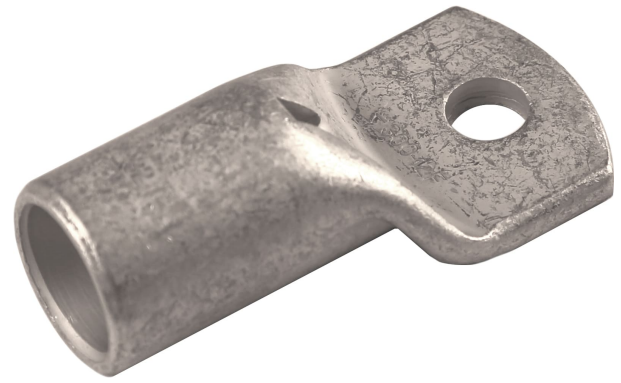


KRF tube terminals 16 - 800 mm<sup>2</sup>

# KRF300A-10

- ✓ Material: Cu 99.95%, tin plated Cu/Sn.
- ✓ With inspection holes.
- ✓ For stranded (class 2), multi-stranded (class 5) and very flexible (class 6) Cu conductors according to IEC 60228, for multi-stranded Cu conductors contact crimping using the Dual system is recommended.



## Example of marking KRF: 17 (neck) Elpress logotype 70 10F (palm)

17 = Die No. 70 = mm<sup>2</sup> 10 = palm hole for M10 F = type KRF for stranded, flexible and very flexible conductors.



Item number: **7301-146200**

EAN: **7393487042568**

W (mm): **46**

N (mm): **15**

N1 (mm): **19**

P (mm): **34**

f (mm): **1.75**

d (mm): **24.5**

D (mm): **31,5**

L (mm): **93**

t (mm) - palm thickness: **6.8**

s (mm) - strip length: **40**

Screw: **M10**

Inspection hole: **Yes**

AWG/MCM Cu: **550 MCM**

mm<sup>2</sup> Cu: **300**

**ELPRESS**