

KRF angled terminals 45°

# KRF16-10- 45GR

- ✓ Material: Cu 99.95%, tin plated Cu/Sn.
- ✓ Inspection hole
- ✓ For stranded (class 2) and multi-stranded (class 5) Cu conductors, for multi-stranded Cu conductors contact crimping using the Dual system is recommended.

- ✓ DNV approved.

## Example of marking KRF: 17 (neck) Elpress logo 70 10F (palm)

17 = Die No. 70 = mm<sup>2</sup> 10 = palm hole for M10 F = type KRF for stranded and flexible conductors. Angled tube terminal 45° for multi-stranded (class 5) and stranded (class 2) Cu conductors (acc. to IEC 60228), 16 mm<sup>2</sup>, with an M10 hole in the palm. Used with Elpress certified systems V600, V1300, V250.



UK  
CA

Item number: **7301-125600**

EAN: **7393487016118**

A (mm): **23**

W (mm): **16**

N (mm): **11.5**

N1 (mm): **13.5**

P (mm): **25**

d (mm): **6**

D (mm): **9**

t (mm) - palm thickness: **2.3**

s (mm) - strip length: **12**

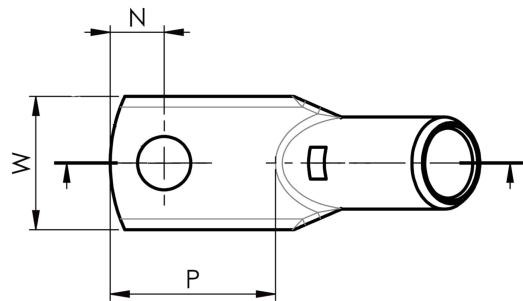
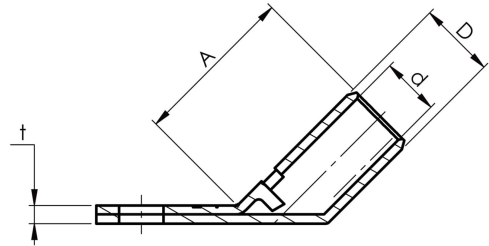
Screw: **M10**

Angle (°): **45**

Inspection hole: **Yes**

AWG/MCM Cu: **6 AWG**

mm<sup>2</sup> Cu: **16**



**ELPRESS**