

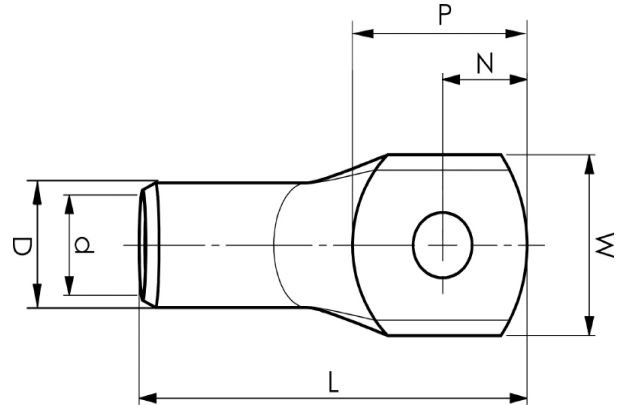
KRD tube terminals 16 - 1000 mm<sup>2</sup>

# KRD240-12

- ✓ Material: Cu 99.95%, tin plated Cu/Sn.
- ✓ Inspection hole.
- ✓ For stranded (class 2) Cu conductors.

## Example of marking KRD: 14 (neck) Elpress logotype 70 10 (palm)

14 = Die No. 70 = mm<sup>2</sup> 10 = palm hole for M10  
Tube terminal type KRD for stranded (class 2) Cu  
conductors, 240 mm<sup>2</sup>, with an M12 hole in the palm.  
Used with Elpress certified systems V1300 or V250.



Item number: **7301-103500**

EAN: **7393487006935**

W (mm): **39**

N (mm): **15**

N1 (mm): **16**

P (mm): **31**

f (mm): **1**

d (mm): **21**

D (mm): **27**

L (mm): **86**

t (mm) - palm thickness: **5.9**

s (mm) - strip length: **37**

Screw: **M12**

Inspection hole: **Yes**

AWG/MCM Cu: **450 MCM**

mm<sup>2</sup> Cu: **240**

**ELPRESS**