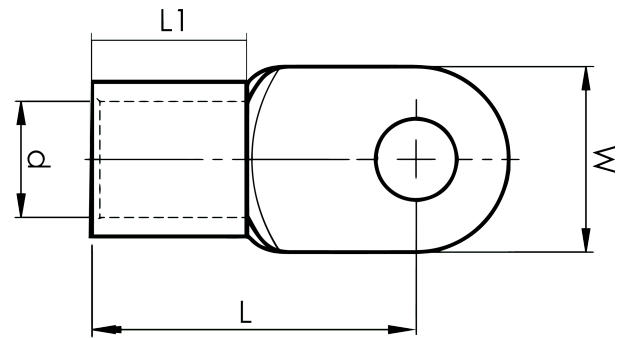


DIN 46234 sheet metal terminals 10 - 185 mm²

B70-12R

- ✓ dimensions according to DIN 46234
- ✓ material: 99.9% Cu, tin plated (Cu/Sn)



Sheet metal terminal for 70 mm² copper conductors with an M12 hole in the palm. Used with Elpress certified systems V600, V1300 or V250.



Item number: **7258-268300**
EAN: **7393487018730**

W (mm): **22**
d (mm): **13**
L1 (mm): **18**
L (mm): **38**
t (mm) - palm thickness: **2**

Screw: **M12**
Marking: **70**

AWG/MCM Cu: **2/0 AWG**
mm² Cu: **70**