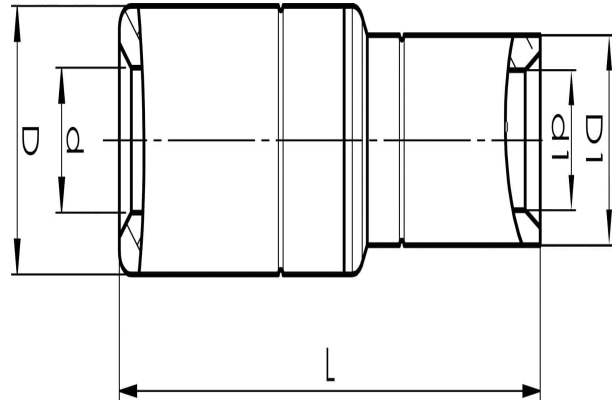


Aluminium-copper through connectors 16 - 500 mm²

AKS35-16

✓ v

AlCu through connector, from Al conductor to Cu conductor. For stranded Al cable 35 mm², or for solid Al cable 50 mm², to stranded/multi-stranded Cu cable 16 mm². When crimping the Cu section, place the dies between the mark on the sleeve and the edge of the Cu section. Used with Elpress certified systems V1300, V250.



Item number: **7333-400300**
EAN: **7393487009707**

s1 (mm): **15**
d (mm): **8.5**
D (mm): **20**
L (mm): **66**
d1 (mm): **6**
D1 (mm): **9**
s (mm) - strip length: **45**

AWG/MCM Stranded Al: **2 AWG**
AWG/MCM Solid Al: **10 AWG**
AWG/MCM Cu: **6 AWG**
mm² Stranded Al: **35**
mm² Solid Al: **50**
mm² Cu: **16**
Screen conductor (mm²): **15**