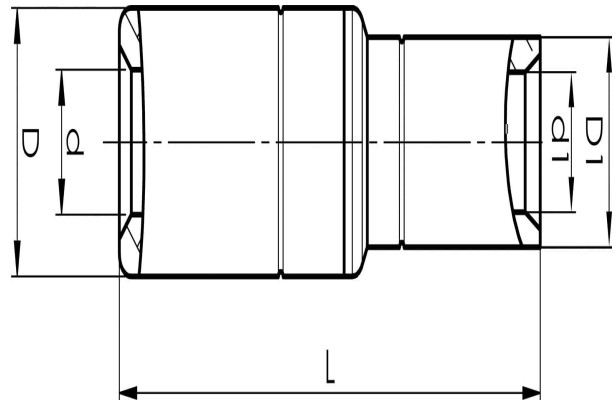


Aluminium-copper through connectors 16 - 500 mm<sup>2</sup>

# AKS120-50

- ✓ Connector from Al conductor to Cu conductor.
- ✓ Stranded/solid Al conductors, stranded/multi-stranded Cu conductors.
- ✓ For multi-stranded Cu conductors, contact crimping using the Dual system is recommended.
- ✓ Two crimps are required for Al, normally one for Cu.

AlCu through connector, from Al conductor to Cu conductor. For stranded Al cable 120 mm<sup>2</sup>, or for solid Al cable 150 mm<sup>2</sup>, to stranded/multi-stranded Cu cable 50 mm<sup>2</sup>. When crimping the Cu section, place the dies between the mark on the sleeve and the edge of the Cu section. Used with Elpress certified systems V1300, V250.



Item number: **7333-401500**

EAN: **7393487009820**

s1 (mm): **23**

d (mm): **14**

D (mm): **25**

L (mm): **90.5**

d1 (mm): **11**

D1 (mm): **14.5**

s (mm) - strip length: **61**

AWG/MCM Stranded Al: **250 MCM**

AWG/MCM Solid Al: **300 MCM**

AWG/MCM Cu: **1/0 AWG**

mm<sup>2</sup> Stranded Al: **120**

mm<sup>2</sup> Solid Al: **150**

mm<sup>2</sup> Cu: **50**

Screen conductor (mm<sup>2</sup>): **57**