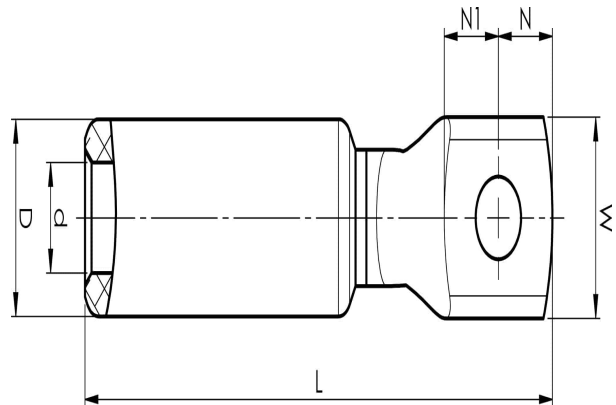


Aluminium-copper terminals 16 - 1200 mm<sup>2</sup>

# AKK300B-16

- ✓ Used for connection of Al conductors for apparatus outlets and busbars of Cu, etc.
- ✓ Two crimps are needed.

AlCu terminal for stranded Al cable 300 mm<sup>2</sup>, with an M16 hole in the palm. Used with Elpress certified system V1300.



Item number: **7331-458500**

EAN: **7393487060401**

W (mm): **37**

N (mm): **18.5**

N1 (mm): **18.5**

P (mm): **37**

d (mm): **22.3**

D (mm): **37**

L (mm): **139**

t (mm) - palm thickness: **6.7**

s (mm) - strip length: **68**

Screw: **M16**

AWG/MCM Stranded Al: **550 MCM**

mm<sup>2</sup> Stranded Al: **300**