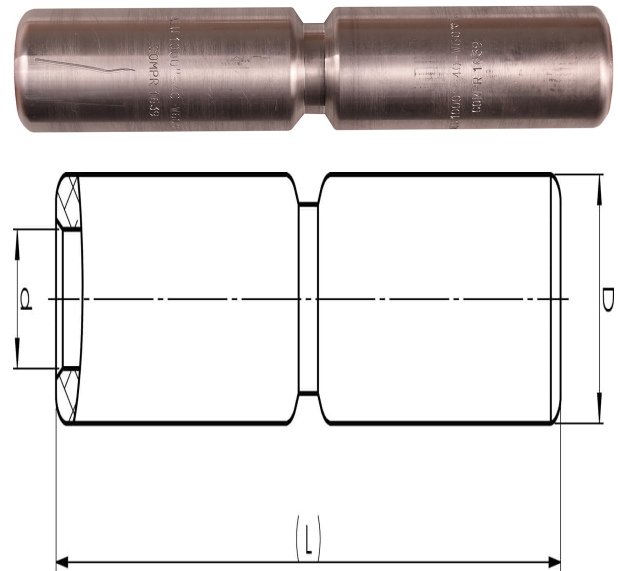


Aluminium through connectors with partition 16 -
1200 mm²

AS1000-1

- ✓ Used primarily for splicing two Al conductors with the same area.
- ✓ Two plus two crimps are needed.
- ✓ With partition.

Al through connector with partition for stranded, compressed Al cable 1000 mm². Used with Elpress certified system V1470.



Item number: **7313-406400**

EAN: **7393487020085**

d (mm): **40**

D (mm): **60**

L (mm): **288**

s (mm) - strip length: **129**

AWG/MCM Stranded Al: **2000 MCM**

mm² Stranded Al: **1000**