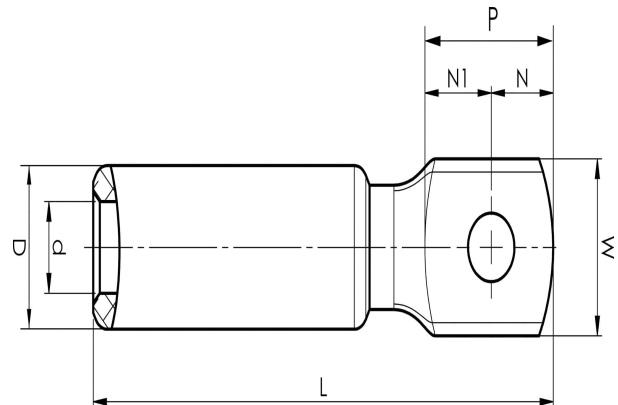


Aluminium terminals 16 - 1200 mm<sup>2</sup>

# AK16-8

- ✓ Used for connecting Al conductors to Al busbar.
- ✓ Two crimps are needed.

Al terminal for stranded Al cable 16 mm<sup>2</sup>, or for solid Al cable 25 (16) mm<sup>2</sup> with an M8 hole in the palm.  
Used with Elpress certified systems V1300 or V250.



Item number: **7311-400500**  
EAN: **7393487008717**

W (mm): **16**  
N (mm): **8.5**  
N1 (mm): **9**  
P (mm): **17.5**  
d (mm): **5.9**  
D (mm): **13**  
L (mm): **61**  
t (mm) - palm thickness: **5**  
s (mm) - strip length: **29**

Screw: **M8**

AWG/MCM Stranded Al: **6 AWG**  
AWG/MCM Solid Al: **4 AWG**  
mm<sup>2</sup> Stranded Al: **16**  
mm<sup>2</sup> Solid Al: **25**