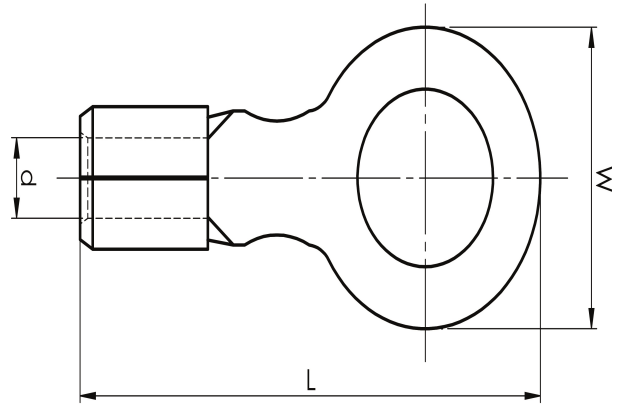


Ring terminal 0.25 - 6 mm²

B4685R



Item number: **7258-262400**

EAN: **7393487003927**

W (mm): **14**

d (mm): **3.4**

L (mm): **24**

t (mm) - palm thickness: **1**

s (mm) - strip length: **9**

Screw: **M8**

Neck type: **Brazed**

AWG/MCM Cu: **12 - 10 AWG**

mm² Cu: **4-6**