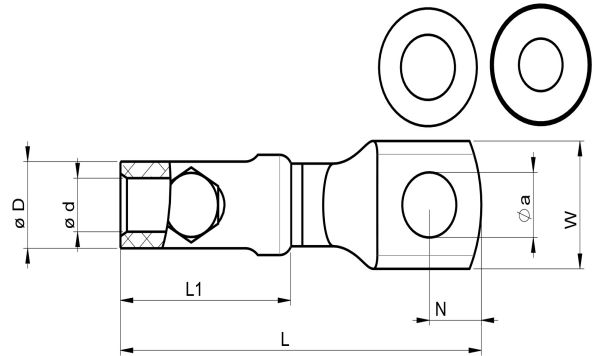
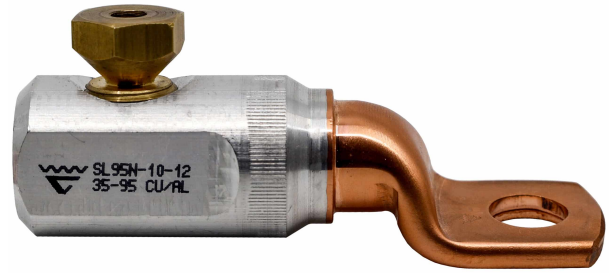


Shearbolt terminals 10 - 630 mm² (pre-assembled screw)

SL95N-10-12

- ✓ shearbolt material: brass for minimum friction
- ✓ threaded shear-off shearbolts for easy handling
- ✓ voltage range 1-36 kV
- ✓ meets the requirements of IEC standard 61238-1:2003
- ✓ the terminals are of the bimetallic type for best functionality

Shearbolt terminal 1-36 kV that is suitable for both Al and Cu class 1 and class 2 cable. Round cable 35-95 mm², sector shaped cable 35-95 mm². Suitable for both M10 and M12, reduction washer and flat washer are included when ordering.



Item number: **7334-017200**

EAN: **7393487087217**

a (mm): **13**

W (mm): **27.5**

N (mm): **12.5**

d (mm): **16**

D (mm): **17**

L1 (mm): **52.5**

L (mm): **96**

t (mm) - palm thickness: **4.7**

s (mm) - strip length: **56**

Screw: **M12, M10**

Max voltage (kV): **1**

Screen conductor (mm²): **50-95**

Screen conductor, Min (mm²): **50**

Screen conductor, Max (mm²): **95**

Screen conductor (with filling piece), Min (mm²): **16-50 (SC95N/PEN)**

Screen conductor (with filling piece), Max (mm²): **16-50 (SC95N/PEN)**

Cable type Round (mm²): **35-95**

Cable type Sector (mm²): **35-95**