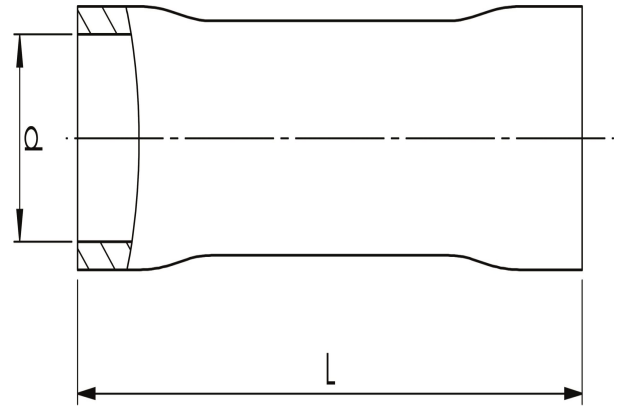


Through connectors 0.25 - 6 mm²

A2527SK

- ✓ Material: Cu 99.95%, tin plated Cu/Sn, contact sleeve of Cu pipe.
- ✓ Insulation halogen-free PC, not Easy-entry.

Pre-insulated through connector for 1.5-2.5 mm² cable. Used with certified tool GSA0760.



Item number: **7289-500300**

EAN: **7393487101999**

d (mm): **4.5**

L (mm): **25.3**

s (mm) - strip length: **8**

Insulation material: **PC**

AWG/MCM Cu: **16 - 14 AWG**

mm² Cu: **1,5-2,5**