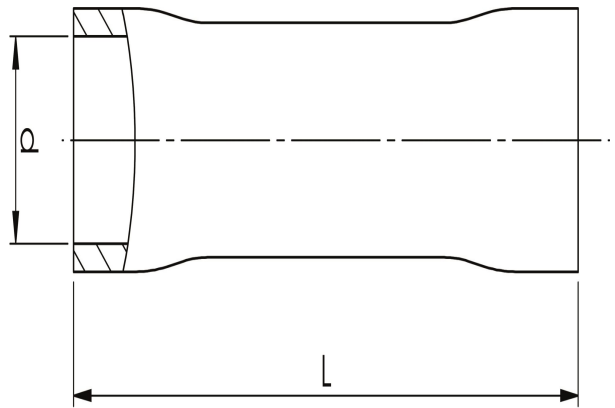
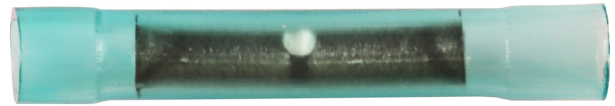


Through connectors 0.25 - 6 mm²

A0824SK

- ✓ Material: Cu 99.95%, tin plated Cu/Sn, contact sleeve of Cu pipe.
- ✓ Insulation halogen-free PC, not Easy-entry.

Pre-insulated through connector for 0.25-0.75 mm² cable.



Item number: **7288-500100**

EAN: **7393487004801**

d (mm): **2.9**

L (mm): **24.5**

s (mm) - strip length: **7**

Insulation material: **PC**

AWG/MCM Cu: **24 - 20 AWG**

mm² Cu: **0,25-0,75**