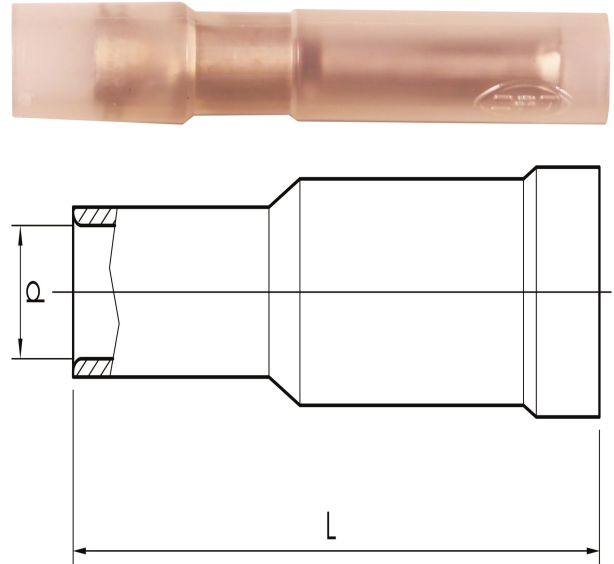


End connector sleeves fully insulated 0.25 - 6 mm<sup>2</sup>

# A0802HO

- ✓ Material: brass/Cu, tin plated Cu/Sn, brazed neck.
- ✓ Insulation halogen-free PA, not Easy-entry.

Insulated socket for 0.25-0.75 mm<sup>2</sup> cable. Used with certified tool DSA0115.



Item number: **7497-500800**

EAN: **7393487005259**

d (mm): **3.1**

L (mm): **24.5**

s (mm) - strip length: **7**

Insulation material: **PA**

Insulation colour: **Transparent (insulated terminals)**

Material: **Brass/Cu, Cu/Sn**

For bullets  $\varnothing$  (mm): **2**

Neck type: **Reinforcement sleeve**

AWG/MCM Cu: **24 - 18 AWG**

mm<sup>2</sup> Cu: **0,25-0,75**