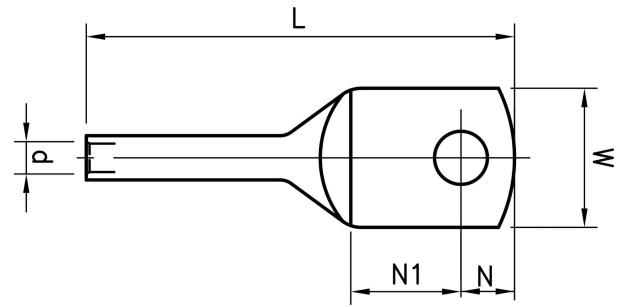


KRX tube terminals for Excel and Fxcel cable 10 - 16 mm<sup>2</sup>

# KRX16-12

- ✓ Material: Cu 99.95%, tin plated Cu/Sn.
- ✓ Mounted pull-strain relieved.



Uninsulated tube terminal for Cu conductors 16 mm<sup>2</sup> stranded (Fxcel) with an M12 hole in the palm.  
Used with Elpress certified systems V600, V1300, V250.



Item number: **7301-112000**

EAN: **7393487035553**

W (mm): **19**

N (mm): **12.5**

N1 (mm): **19.5**

P (mm): **32**

d (mm): **5.5**

D (mm): **8,5**

L (mm): **67**

t (mm) - palm thickness: **1.9**

s (mm) - strip length: **30**

Screw: **M12**

AWG/MCM Cu: **6 AWG**

mm<sup>2</sup> Cu: **16**