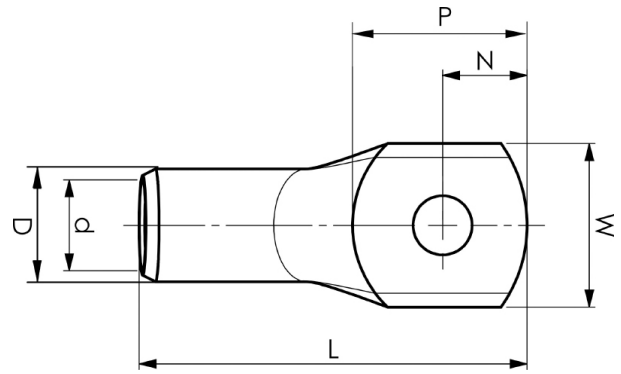


KRT tube terminals 10 - 500 mm²

KRT35-12

- ✓ Material: Cu 99.95%, tin plated Cu/Sn.
- ✓ Inspection hole.
- ✓ For stranded (class 2) Cu conductors.



Example of marking KRT: 16 (neck) Elpress logotype 70 10 (palm)

16 = Die No. 70 = mm² 10 = palm hole for M10

Tube terminal type KRT for stranded (class 2) Cu
conductors, 35 mm², with an M12 hole in the palm.

Used with Elpress certified systems V600, V1300 or
V250.



Item number: **7301-276800**

EAN: **7393487007536**

W (mm): **22**

N (mm): **12**

N1 (mm): **14**

P (mm): **26**

d (mm): **8.5**

D (mm): **12**

L (mm): **53**

t (mm) - palm thickness: **2.5**

s (mm) - strip length: **20**

Screw: **M12**

Inspection hole: **Yes**

AWG/MCM Cu: **2 AWG**

mm² Cu: **35**