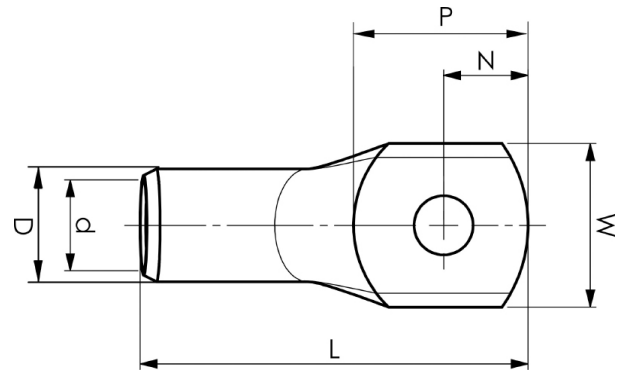


KRT tube terminals 10 - 500 mm²

KRT25-12

- Material: Cu 99.95%, tin plated Cu/Sn.
- Inspection hole.
- For stranded (class 2) Cu conductors.



Example of marking KRT: 16 (neck) Elpress logotype 70 10 (palm)

16 = Die No. 70 = mm² 10 = palm hole for M10

Tube terminal type KRT for stranded (class 2) Cu conductors, 25 mm², with an M12 hole in the palm.

Used with Elpress certified systems V600, V1300 or V250.



Item number: **7301-276400**

EAN: **7393487007499**

W (mm): **19**

N (mm): **12**

N1 (mm): **13**

P (mm): **25**

d (mm): **7**

D (mm): **10**

L (mm): **48**

t (mm) - palm thickness: **2.1**

s (mm) - strip length: **17**

Screw: **M12**

Inspection hole: **Yes**

AWG/MCM Cu: **4 AWG**

mm² Cu: **25**