

KRFS tube terminals 50 - 400 mm² with narrow palm

KRFS95-10

- ✓ Material: Cu 99.95%, tin plated Cu/Sn.
- ✓ Inspection hole
- ✓ For stranded (class 2) and multi-stranded (class 5) Cu conductors, for multi-stranded Cu conductors contact crimping using the Dual system is recommended.
- ✓ Easy to install via cable gland, allows for pre-installation.
- ✓ The width of the palm is less than or as wide as the neck.

Example of marking KRFS: 17 (neck) Elpress logotype 70 10F (palm)

17 = Die no. 70 = mm² 10 = palm hole for M10 F = type KRF for stranded and flexible conductors.
Tube terminal with narrow palm for multi-stranded (class 5) and stranded (class 2) Cu conductors (acc. to IEC 60228), 95 mm², with an M10 hole in the palm. Used with Elpress certified systems V600, V1300, V250.



UK
CA

Item number: **7301-291000**

EAN: **7393487062016**

W (mm): **19**

N (mm): **11**

N1 (mm): **14**

P (mm): **25**

f (mm): **1**

d (mm): **15**

D (mm): **20**

L (mm): **63**

t (mm) - palm thickness: **5.7**

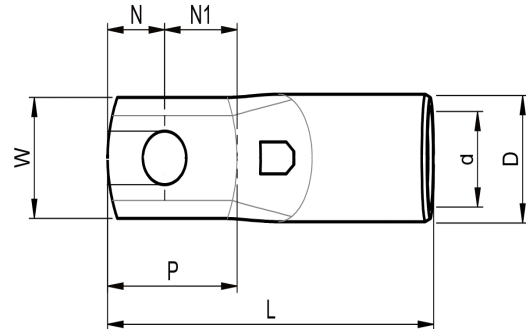
s (mm) - strip length: **25**

Screw: **M10**

Inspection hole: **Yes**

AWG/MCM Cu: **3/0 AWG**

mm² Cu: **95**



ELPRESS