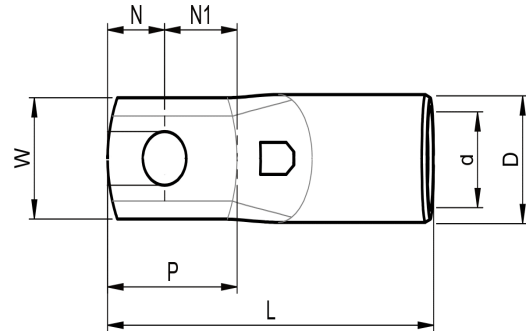


KRFS tube terminals 50 - 400 mm<sup>2</sup> with narrow palm

# KRFS400A- 16



- ✓ Material: Cu 99.95%, tin plated Cu/Sn.
- ✓ Inspection hole
- ✓ For stranded (class 2) and multi-stranded (class 5) Cu conductors, for multi-stranded Cu conductors contact crimping using the Dual system is recommended.
- ✓ Easy to install via cable gland, allows for pre-installation.
- ✓ The width of the palm is less than or as wide as the neck.



## Example of marking KRFS: 17 (neck) Elpress logotype 70 10F (palm)

17 = Die no. 70 = mm<sup>2</sup> 10 = palm hole for M10 F = type KRF for stranded and flexible conductors.  
Tube terminal with narrow palm for multi-stranded (class 5) and stranded (class 2) Cu conductors (acc. to IEC 60228), 400 mm<sup>2</sup>, with an M16 hole in the palm. Used with Elpress certified systems V1300 or V250.



Item number: **7301-293400**  
EAN: **7393487082458**

W (mm): **38**  
N (mm): **20**  
N1 (mm): **19**  
P (mm): **39**  
d (mm): **30**  
D (mm): **38**  
L (mm): **114**  
t (mm) - palm thickness: **9.3**  
s (mm) - strip length: **52**

Screw: **M16**  
Inspection hole: **Yes**

AWG/MCM Cu: **700 MCM**  
mm<sup>2</sup> Cu: **400**

**ELPRESS**