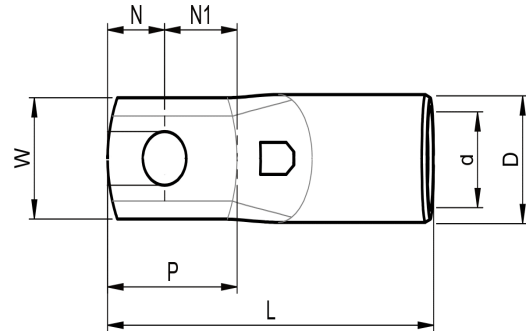


KRFS tube terminals 50 - 400 mm² with narrow palm

KRFS400A- 12



- ✓ Material: Cu 99.95%, tin plated Cu/Sn.
- ✓ Inspection hole
- ✓ For stranded (class 2) and multi-stranded (class 5) Cu conductors, for multi-stranded Cu conductors contact crimping using the Dual system is recommended.
- ✓ Easy to install via cable gland, allows for pre-installation.
- ✓ The width of the palm is less than or as wide as the neck.



Example of marking KRFS: 17 (neck) Elpress logotype 70 10F (palm)

17 = Die no. 70 = mm² 10 = palm hole for M10 F = type KRF for stranded and flexible conductors.
Tube terminal with narrow palm for multi-stranded (class 5) and stranded (class 2) Cu conductors (acc. to IEC 60228), 400 mm², with an M12 hole in the palm. Used with Elpress certified systems V1300 or V250.



Item number: **7301-293300**
EAN: **7393487082441**

W (mm): **38**
N (mm): **15**
N1 (mm): **24**
P (mm): **39**
d (mm): **30**
D (mm): **38**
L (mm): **114**
t (mm) - palm thickness: **9.3**
s (mm) - strip length: **52**

Screw: **M12**
Inspection hole: **Yes**

AWG/MCM Cu: **700 MCM**
mm² Cu: **400**

ELPRESS