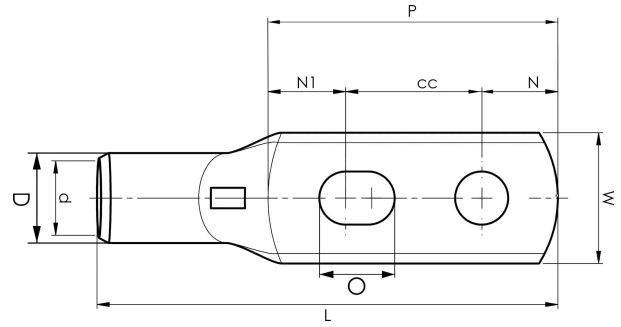


KRF tube terminals with two holes

# KRF240A- 10X2-24-26



- ✓ Material: Cu 99.95%, tin plated Cu/Sn.
- ✓ Inspection hole.
- ✓ For stranded (class 2) and multi-stranded (class 5) Cu conductors, for multi-stranded Cu conductors contact crimping using the Dual system is recommended.
- ✓ UL-approved.

## Example of marking KRF: 17 (neck) Elpress logotype 70 10F (palm)

17 = Die No. 70 = mm<sup>2</sup> 10 = palm hole for M10 F = type KRF for stranded and flexible conductors.  
2 holed tube terminal for multi-stranded (class 5) and stranded (class 2) Cu-conductors (acc. to IEC 60228), 240 mm<sup>2</sup>, with two M10 holes in the palm.  
Used with Elpress certified systems V1300 or V250.



Item number: **7301-500600**  
EAN: **7393487036611**

W (mm): **42**  
N (mm): **11**  
N1 (mm): **22**  
P (mm): **58**  
cc (mm): **25**  
O (mm): **12.5**  
f (mm): **1**  
d (mm): **22.5**  
D (mm): **29**  
L (mm): **115**  
t (mm) - palm thickness: **6.4**  
s (mm) - strip length: **37**

Screw: **M10x2**  
Inspection hole: **Yes**

AWG/MCM Cu: **450 MCM**  
mm<sup>2</sup> Cu: **240**

**ELPRESS**