

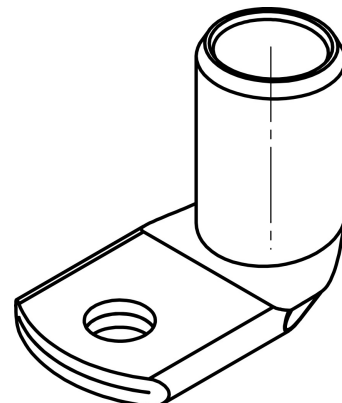
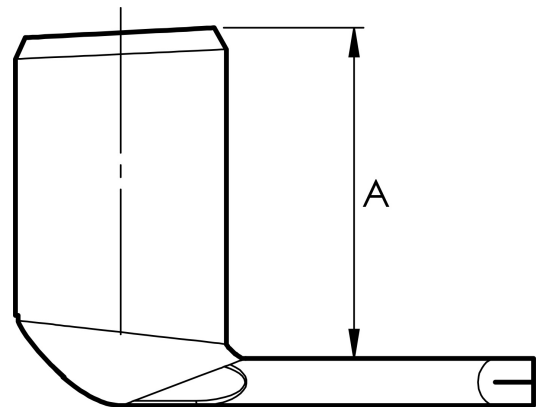
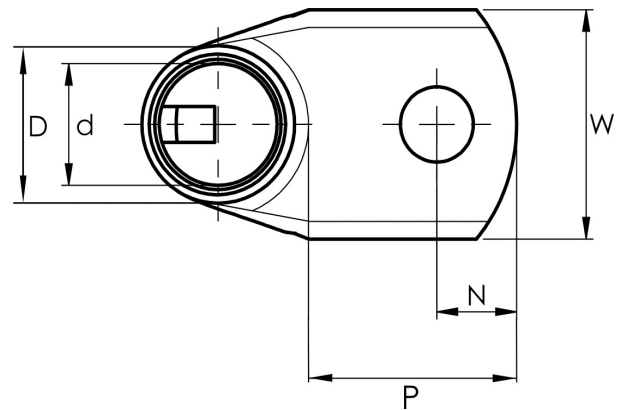
KRF angled terminals 90°, 10 - 185 mm<sup>2</sup>

# KRF150-10- 90GR-SB

- ✓ Material: Cu 99.95%, tin plated Cu/Sn.
- ✓ Inspection hole.
- ✓ For stranded (class 2) and multi-stranded (class 5) Cu conductors, for multi-stranded Cu conductors contact crimping using the Dual system is recommended.
- ✓ UL-approved, DNV approved.

## Example of marking KRF: 17 (neck) Elpress logo 70 10F (palm)

17 = Die No. 70 = mm<sup>2</sup> 10 = palm hole for M10 F = type KRF for stranded and flexible conductors. Angled tube terminal 90° for multi-stranded (class 5) and stranded (class 2) Cu conductors (acc. to IEC 60228), 150 mm<sup>2</sup>, with an M10 hole in the palm. Used with Elpress certified systems 250. SB stands for short barrel.



Item number: **7301-113000**

EAN: **7393487019584**

A (mm): **37.5**

W (mm): **36**

N (mm): **11.5**

N1 (mm): **18.5**

P (mm): **30**

d (mm): **19**

D (mm): **25**

t (mm) - palm thickness: **5.9**

s (mm) - strip length: **32**

Screw: **M10**

Angle (°): **90**

Inspection hole: **Yes**

AWG/MCM Cu: **300 MCM**

mm<sup>2</sup> Cu: **150**

**ELPRESS**