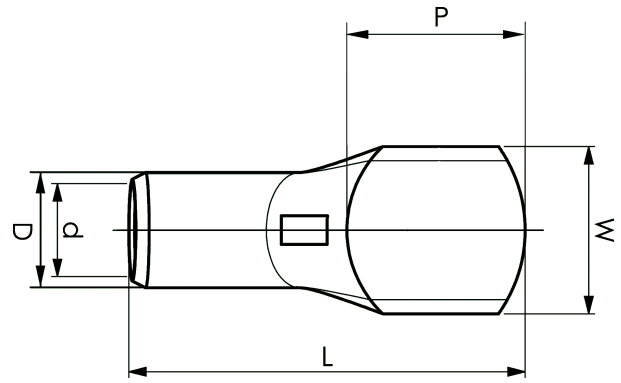


KRD tube terminals 16 - 1000 mm²

KRD95-00

- ✓ Material: Cu 99.95%, tin plated Cu/Sn.
- ✓ Inspection hole.
- ✓ For stranded (class 2) Cu conductors.



Example of marking KRD: 14 (neck) Elpress logotype 70 10 (palm)

14 = Die No. 70 = mm² 10 = palm hole for M10
Tube terminal type KRD for stranded (class 2) Cu
conductors, 95 mm², without a hole in the palm.
Used with Elpress certified systems V600, V1300 or
V250.



Item number: **7301-112100**
EAN: **7393487007154**

W (mm): **28**
P (mm): **31**
f (mm): **1**
d (mm): **13**
D (mm): **16**
L (mm): **67**
t (mm) - palm thickness: **2.5**
s (mm) - strip length: **26**

Inspection hole: **Yes**

AWG/MCM Cu: **3/0 AWG**
mm² Cu: **95**