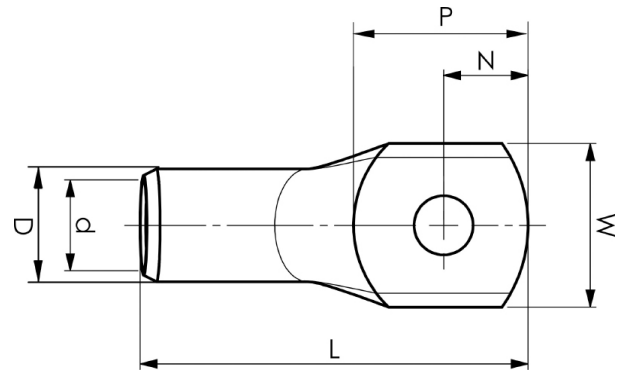


KRD tube terminals 16 - 1000 mm<sup>2</sup>

# KRD16-10

- ✓ Material: Cu 99.95%, tin plated Cu/Sn.
- ✓ Inspection hole.
- ✓ For stranded (class 2) Cu conductors.



## Example of marking KRD: 14 (neck) Elpress logotype 70 10 (palm)

14 = Die No. 70 = mm<sup>2</sup> 10 = palm hole for M10

Tube terminal type KRD for stranded (class 2) Cu  
conductors, 16 mm<sup>2</sup>, with an M10 hole in the palm.

Used with Elpress certified systems V600, V1300 or  
V250.



Item number: **7301-100400**

EAN: **7393487006669**

W (mm): **16**

N (mm): **8**

N1 (mm): **10**

P (mm): **18**

f (mm): **1**

d (mm): **5.4**

D (mm): **8**

L (mm): **34**

t (mm) - palm thickness: **1.8**

s (mm) - strip length: **10**

Screw: **M10**

Inspection hole: **Yes**

AWG/MCM Cu: **6 AWG**

mm<sup>2</sup> Cu: **16**