

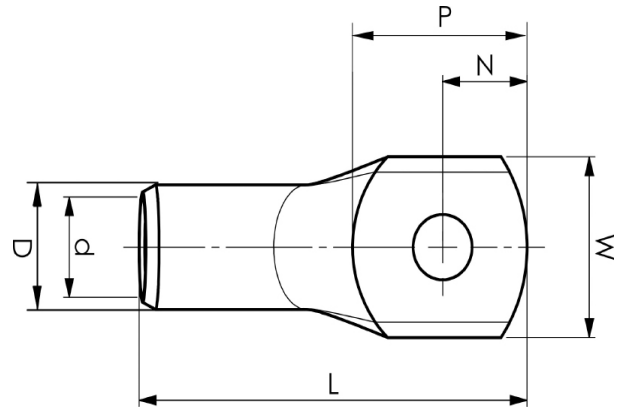
KRD tube terminals 16 - 1000 mm²

KRD120-10

- ✓ Material: Cu 99.95%, tin plated Cu/Sn.
- ✓ Inspection hole.
- ✓ For stranded (class 2) Cu conductors.

Example of marking KRD: 14 (neck) Elpress logotype 70 10 (palm)

14 = Die No. 70 = mm² 10 = palm hole for M10
Tube terminal type KRD for stranded (class 2) Cu
conductors, 120 mm², with an M10 hole in the palm.
Used with Elpress certified systems V600, V1300 or
V250.



Item number: **7301-102000**

EAN: **7393487006805**

W (mm): **28**

N (mm): **11**

N1 (mm): **14**

P (mm): **25**

f (mm): **1**

d (mm): **15**

D (mm): **19**

L (mm): **64**

t (mm) - palm thickness: **3.9**

s (mm) - strip length: **26**

Screw: **M10**

Inspection hole: **Yes**

AWG/MCM Cu: **4/0 AWG**

mm² Cu: **120**

ELPRESS