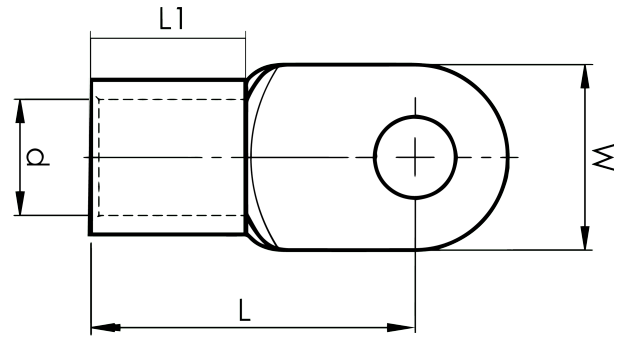


DIN 46234 sheet metal terminals 10 - 185 mm²

B25-16R

- ✓ dimensions according to DIN 46234
- ✓ material: 99.9% Cu, tin plated (Cu/Sn)



Sheet metal terminal for 25 mm² copper conductors with an M16 hole in the palm. Used with Elpress certified systems V600, V1300 or V250.



Item number: **7258-267000**
EAN: **7393487018600**

W (mm): **28**
d (mm): **7.5**
L1 (mm): **11**
L (mm): **35**
t (mm) - palm thickness: **1.5**

Screw: **M16**
Marking: **25**

AWG/MCM Cu: **4 AWG**
mm² Cu: **25**