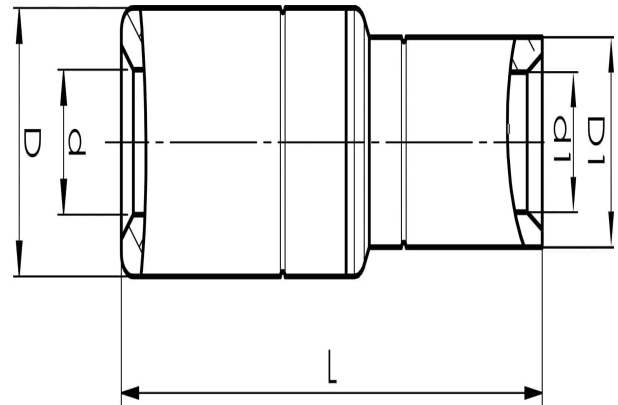


Aluminium-copper through connectors 16 - 500
mm²

AKS95-70

- ✓ Connector from Al conductor to Cu conductor.
- ✓ Stranded/solid Al conductors, stranded/multi-stranded Cu conductors.
- ✓ For multi-stranded Cu conductors, contact crimping using the Dual system is recommended.
- ✓ Two crimps are required for Al, normally one for Cu.

AlCu through connector, from Al conductor to Cu conductor. For stranded Al cable 95 mm², or for solid Al cable 120 mm², to stranded/multi-stranded Cu cable 70 mm². When crimping the Cu section, place the dies between the mark on the sleeve and the edge of the Cu section. Used with Elpress certified systems V1300, V250.



Item number: **7333-401300**
EAN: **7393487009806**

s1 (mm): **25**
d (mm): **12.5**
D (mm): **25**
L (mm): **93**
d1 (mm): **13**
D1 (mm): **17**
s (mm) - strip length: **61**

AWG/MCM Stranded Al: **4/0 AWG**
AWG/MCM Solid Al: **250**
AWG/MCM Cu: **2/0 AWG**
mm² Stranded Al: **95**
mm² Solid Al: **120**
mm² Cu: **70**
Screen conductor (mm²): **72-88**