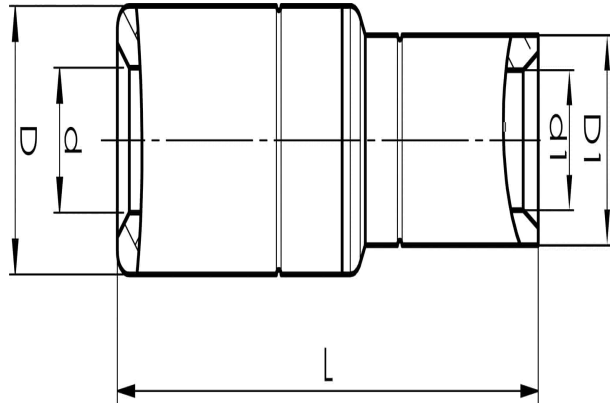


Aluminium-copper through connectors 16 - 500  
mm<sup>2</sup>

# AKS16-10

- ✓ Connector from Al conductor to Cu conductor.
- ✓ Stranded/solid Al conductors, stranded/multi-stranded Cu conductors.
- ✓ For multi-stranded Cu conductors, contact crimping using the Dual system is recommended.
- ✓ Two crimps are required for Al, normally one for Cu.

AlCu through connector, from Al conductor to Cu conductor. For stranded Al cable 16 mm<sup>2</sup>, or for solid Al cable 25 (16) mm<sup>2</sup>, to stranded/multi-stranded Cu cable 10 mm<sup>2</sup>. When crimping the Cu section, place the dies between the mark on the sleeve and the edge of the Cu section. Used with Elpress certified systems V1300, V250.



Item number: **7333-400000**

EAN: **7393487009677**

s1 (mm): **14**

d (mm): **5.9**

D (mm): **13**

L (mm): **45.5**

d1 (mm): **5**

D1 (mm): **8**

s (mm) - strip length: **29**

AWG/MCM Stranded Al: **6 AWG**

AWG/MCM Solid Al: **4 AWG**

AWG/MCM Cu: **8 AWG**

mm<sup>2</sup> Stranded Al: **16**

mm<sup>2</sup> Solid Al: **25 (16)**

mm<sup>2</sup> Cu: **10**