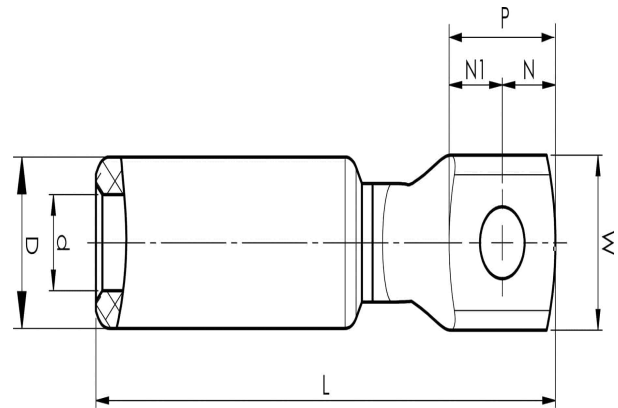
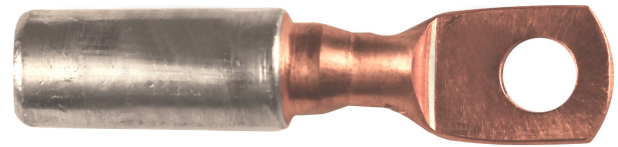


Aluminium-copper terminals 16 - 1200 mm²

AKK16-8

- ✓ Used for connection of Al conductors for apparatus outlets and busbars of Cu.
- ✓ Two crimps are needed.

AlCu terminal for stranded Al cable 16 mm², or for solid Al cable 25 (16) mm², with an M8 hole in the palm. Used with Elpress certified systems V1300, V250.



Item number: **7331-400500**

EAN: **7393487009318**

W (mm): **16**

N (mm): **8.5**

N1 (mm): **10**

P (mm): **18.5**

d (mm): **5.9**

D (mm): **13**

L (mm): **66**

t (mm) - palm thickness: **3**

s (mm) - strip length: **29**

Screw: **M8**

AWG/MCM Stranded Al: **6 AWG**

AWG/MCM Solid Al: **4 AWG**

mm² Stranded Al: **16**

mm² Solid Al: **25 (16)**