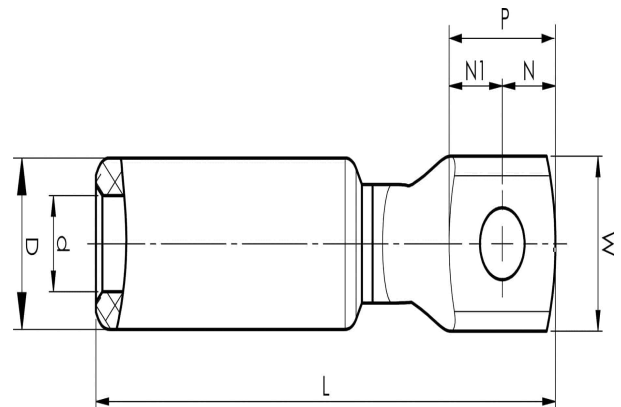


Aluminium-copper terminals 16 - 1200 mm<sup>2</sup>

# AKK150-10

- ✓ Used for connection of Al conductors for apparatus outlets and busbars of Cu.
- ✓ Two crimps are needed.

AlCu terminal for stranded Al cable 150 mm<sup>2</sup>, or for solid Al cable 185 mm<sup>2</sup>, with an M10 hole in the palm. Used with Elpress certified systems V1300, V250.



Item number: **7331-403000**

EAN: **7393487009486**

W (mm): **25.5**

N (mm): **12.5**

N1 (mm): **12.5**

P (mm): **25**

d (mm): **15.8**

D (mm): **25**

L (mm): **108**

t (mm) - palm thickness: **5.7**

s (mm) - strip length: **60**

Screw: **M10**

AWG/MCM Stranded Al: **300 MCM**

AWG/MCM Solid Al: **350 MCM**

mm<sup>2</sup> Stranded Al: **150**

mm<sup>2</sup> Solid Al: **185**